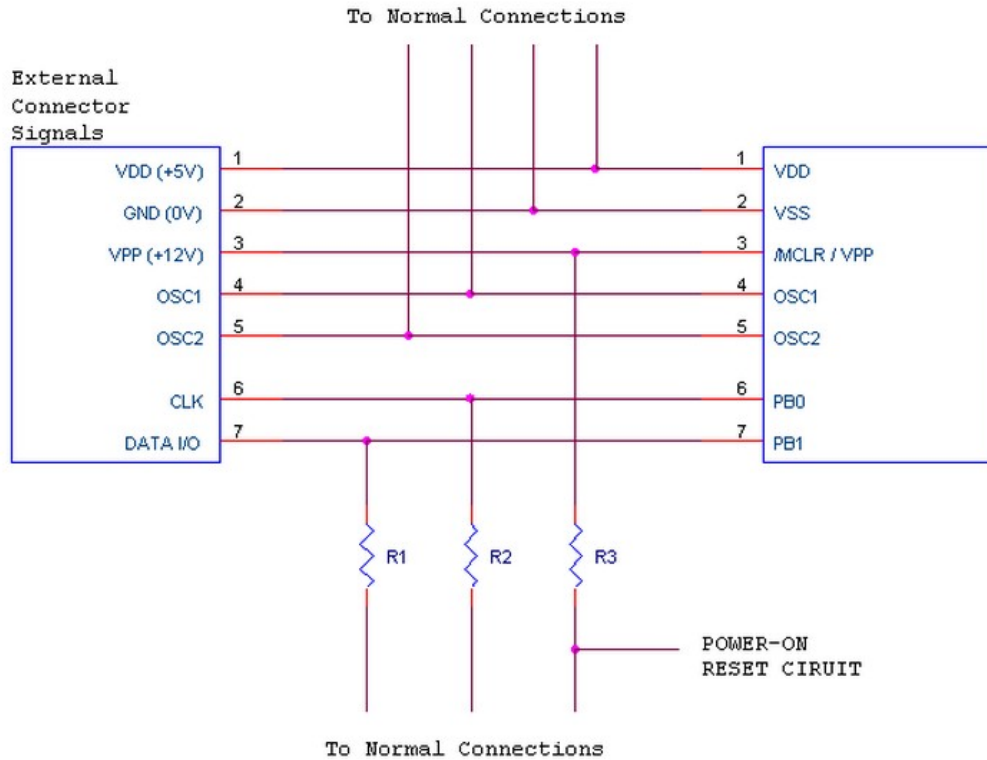


以下为 MDT 外部振荡 mcu 典型 serial program 的应用接线方式

TYPICAL IN CIRCUIT SERIAL PROGRAMMING CONNECTION

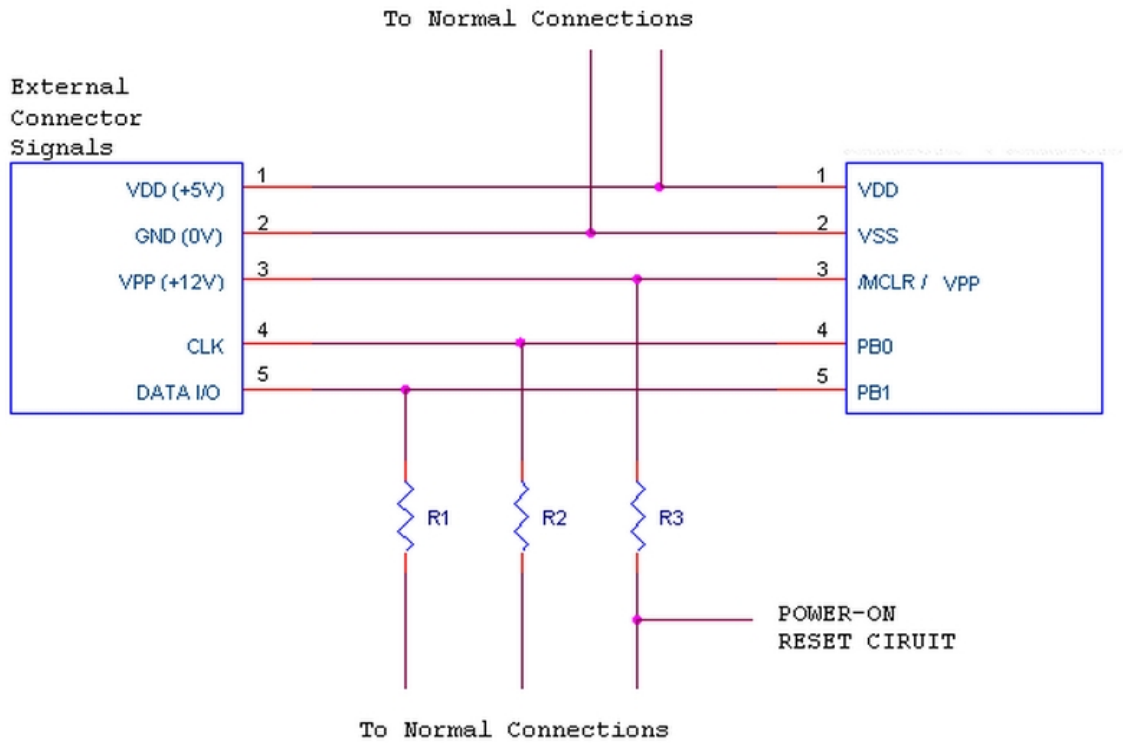


详细 device 可参照下表对应所需 program pin 做 connection 烧写

MDT device	VDD (+5V)	GND	VPP (+12)	VPP (+12)	DATA	CLK	VPP (+12)	VPP (+12)	VPP (+12)	DATA	CLK	OSC1	OSC2
	VDD	VSS	MCLR	PB3	PB1	PB0	PA7	PA4	PA3	PA1	PA0	OSC1	OSC2
MDT10P55B2	V	V		V	V	V						V	V
MDT10P55B4	V	V	V		V	V						V	V
MDT10P57A2	V	V							V	V	V	V	V
MDT10P57A4	V	V	V							V	V	V	V
MDT10P43	V	V	V		V	V	V					V	V
MDT10P223/ MDT10P257/258	V	V	V		V	V						V	V
MDT10P712/716	V	V	V		V	V						V	V
MDT10P62/621/ MDT10P72/721/73/7301	V	V	V		V	V						V	V
MDT10P64/65/651/	V	V	V		V	V						V	V
MDT10P74/7401	V	V	V		V	V						V	V
MDT11P0122	V	V	V		V	V						V	V
MDT13P11	V	V	V		V	V						V	V
MDT14P201P12	V	V	V		V	V						V	V
MDT10P7212P12	V	V			V	V		V				V	V

以下为 MDT 内部振荡 mcu 典型 serial program 的应用接线方式

TYPICAL IN CIRCUIT SERIAL PROGRAMMING CONNECTION

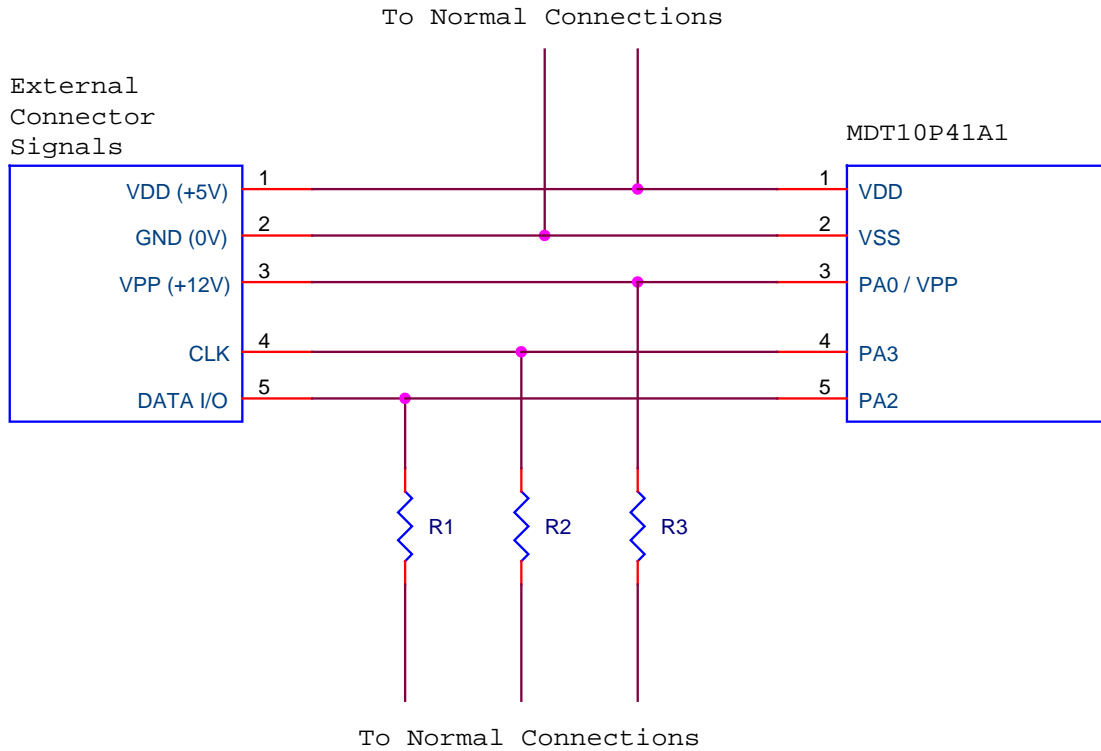


详细 device 可参照下表对应所需 program pin 做 connection 烧写

MDT device	VDD (+5V)	GND	VPP (+12)	VPP (+12)	DATA	CLK	VPP (+12)	VPP (+12)	VPP (+12)	DATA	CLK	OSC1	OSC2
	VDD	VSS	MLCR	PB3	PB1	PB0	PA7	PA4	PA3	PA1	PA0	OSC1	OSC2
MDT10P55B1	V	V		V	V	V							
MDT10P55B3	V	V	V		V	V							
MDT10P57A1	V	V							V	V	V		
MDT10P57A3	V	V	V							V	V		
MDT10P5701A1	V	V							V	V	V		
MDT10P5701A3	V	V	V							V	V		
MDT10P432	V	V			V	V	V						
MDT10F630/6301/676	V	V							V	V	V		
MDT10P123/256 MDT10P157/158	V	V	V		V	V							
MDT14P201P11	V	V	V		V	V							
MDT10P611	V	V		V	V	V							

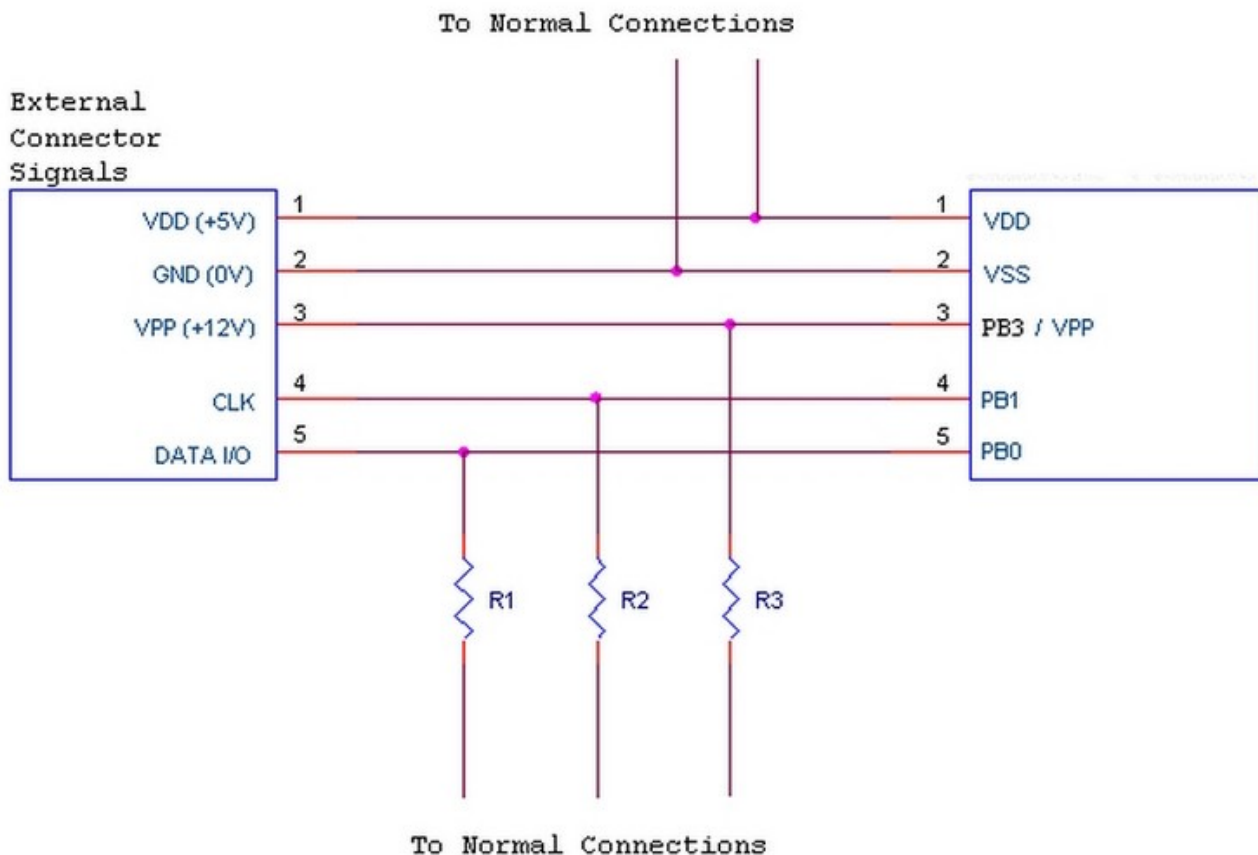
以下为 MDT10P41A1 serial program 的应用接线方式

TYPICAL IN_CIRCUIT SERIAL PROGRAMMING CONNECTION



MDT device	VDD (+5V)	GND	VPP (+12)	DATA I/O	CLK
MDT10P41A1	VDD	VSS	PA0	PA2	PA3

TYPICAL IN CIRCUIT SERIAL PROGRAMMING CONNECTION



以下为 MDT90P01 serial program 的应用接线方式

MDT device	VDD (+5V)	GND	VPP (+12)	DATA I/O	CLK
MDT90P01	VDD	VSS	PB3	PB0	PB1

